

# IASO®

## Better Outside

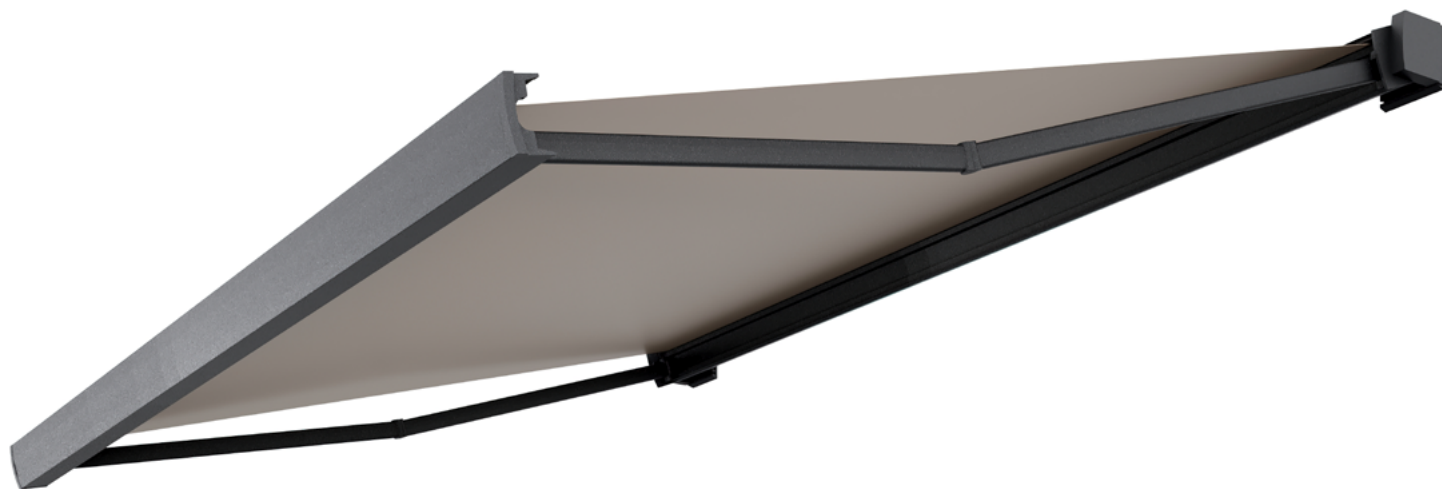
TECHNICAL DATA SHEET

ENGLISH

AWNING

WITH BOX

SPICA LITE



<b>INDEX</b>	—	02	DESCRIPTION
		02	TECHNICAL CHARACTERISTICS
		02	INSTALLATION
		03	EXPLODED VIEW
		04	LIGHTING KIT EXPLODED VIEW
		04	OPTIONAL LIGHTING
		05	PROJECTION DIAGRAM
		06	MINIMUM SIZE
		06	PRODUCT CLASSIFICATION
		06	PRECIPITATION CLASSIFICATION
		06	WIND CLASSIFICATION
		07	MOTOR COMPATIBILITY
		07	MOTOR-TUBE COMPATIBILITY (Ø)
		07	MOTORISATION
		08	ACRYLIC FABRIC CONFIGURATION
		08	PLASTIC FABRIC CONFIGURATION
		09	EMITTERS

# DESCRIPTION

SPICA LITE is a cassette awning with folding arms, featuring fixed lateral brackets and anchoring brackets with Balteus arms. The cassette, which allows internal inspection, is supplied in three separate profiles. The brackets allow installation either on the wall or ceiling, and adjustment is possible thanks to the through-screw system. Optional LED lighting can be integrated in both the arms and the cassette.

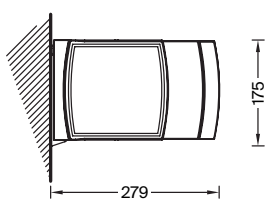
# TECHNICAL CHARACTERISTICS

- Structure: Aluminium 6063-T5 for the profiles
- Screws and fittings: AISI 304 Stainless and galvanised steel

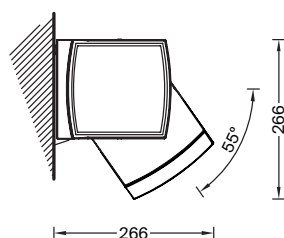
# INSTALLATION

# LIGHTING

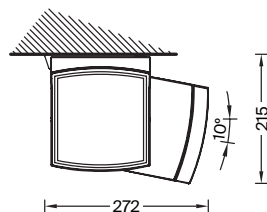
ARMS	CASSETTE	SIDE LIDS
Yes	No	No



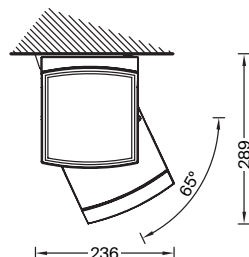
Wall mounting



Wall mounting 55°

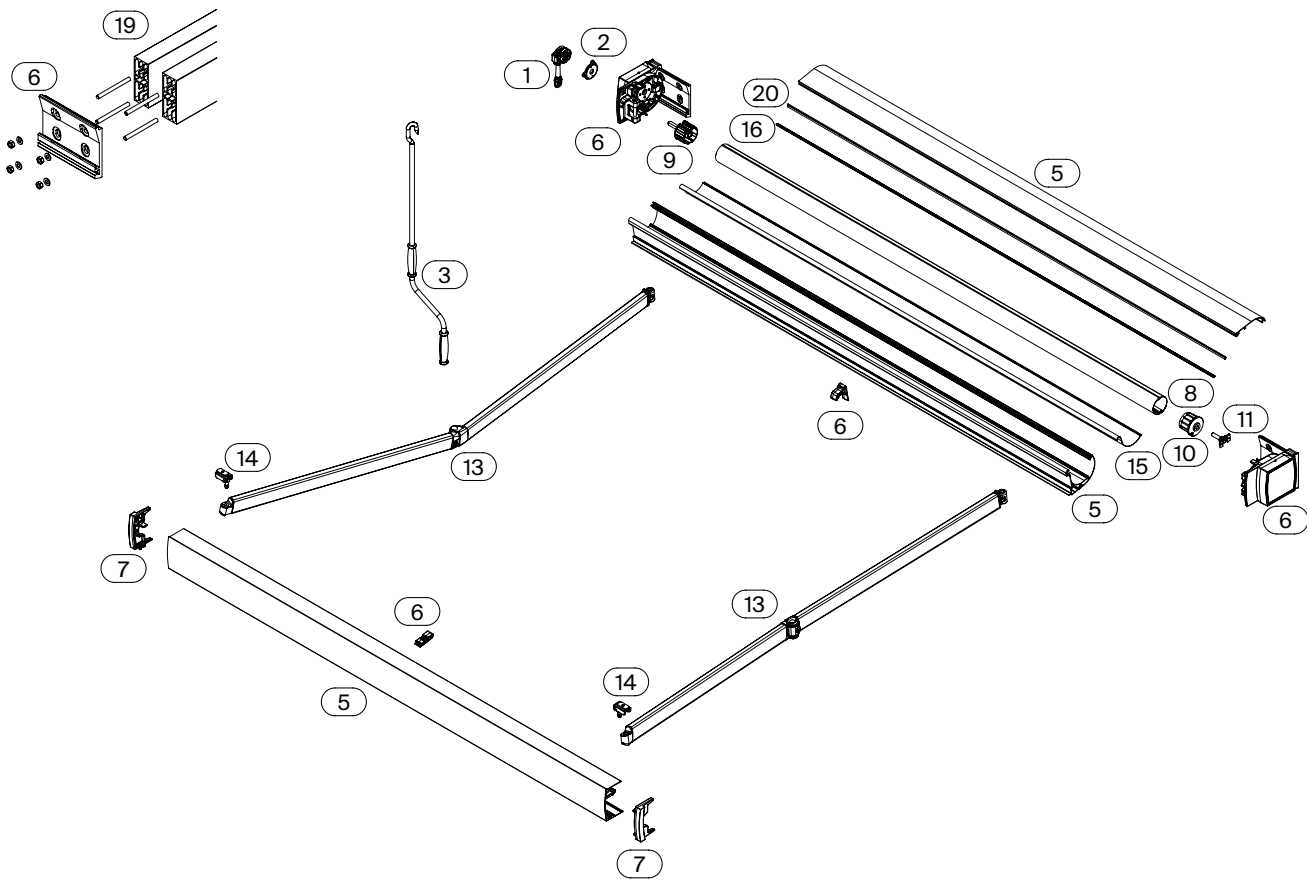


Ceiling mounting 10°



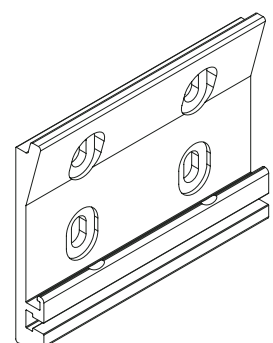
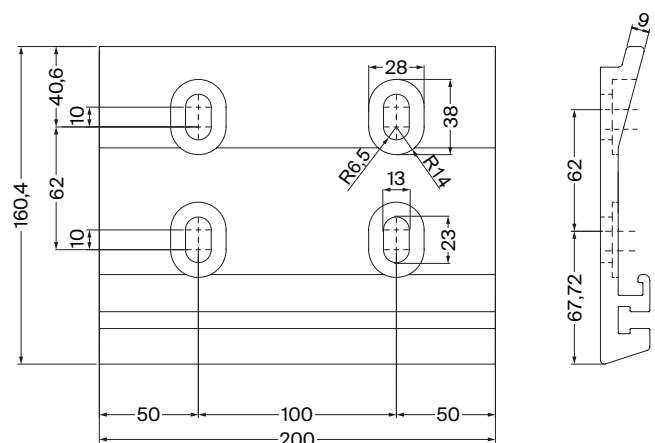
Ceiling mounting 65°

## EXPLODED VIEW

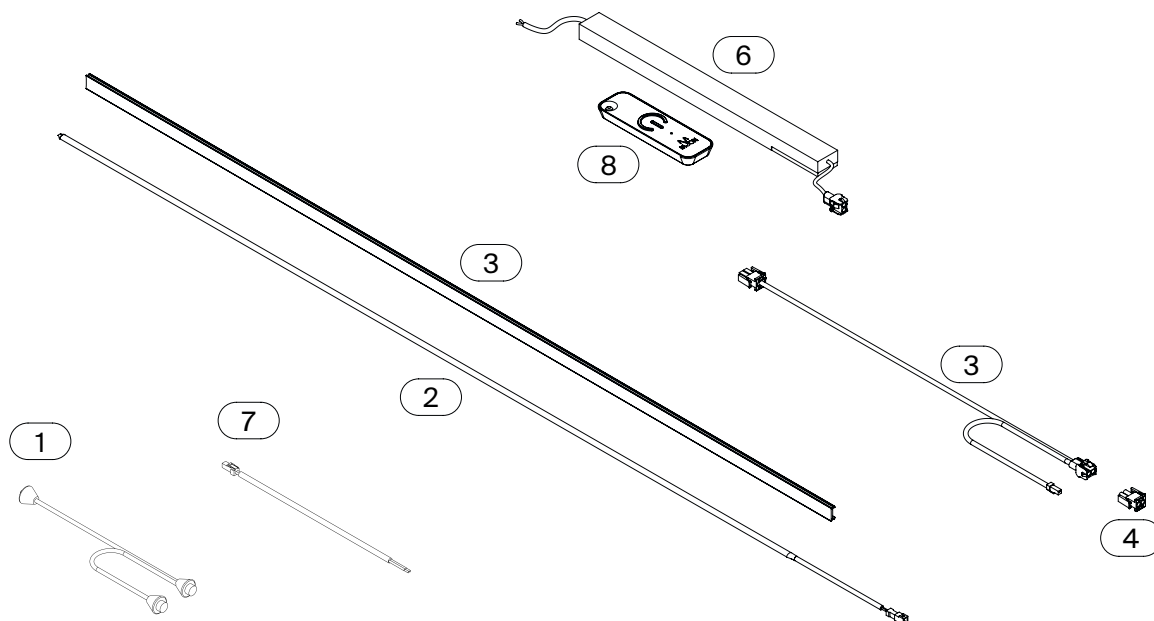


- 1 Reducer mechanism
- 2 Machine kit
- 3 Crank handle
- 4 Crank handle support
- 5 Epica Lite profile kit
- 6 Complete support kit
- 7 End caps for terminal
- 8 Rollerbat
- 9 Aluminium bushing for square axle
- 10 Bushing with opening
- 11 30 mm plate with round axle
- 12 6x16 mm M screw for plate
- 13 Arms with tape
- 14 Sliders
- 15 PVC fabric-protection profile
- 16 Rubber
- 17 Round plate with round eye
- 18 Arms with tape
- 19 Installation spacer
- 20 Brush

## SUPPORT DIMENSIONS



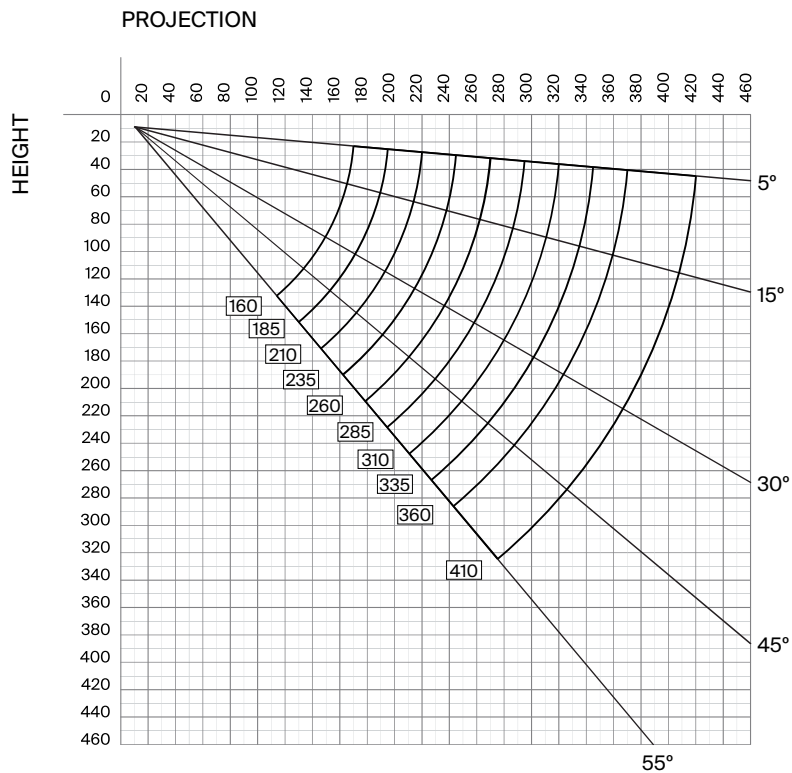
# LIGHTING KIT EXPLODED VIEW



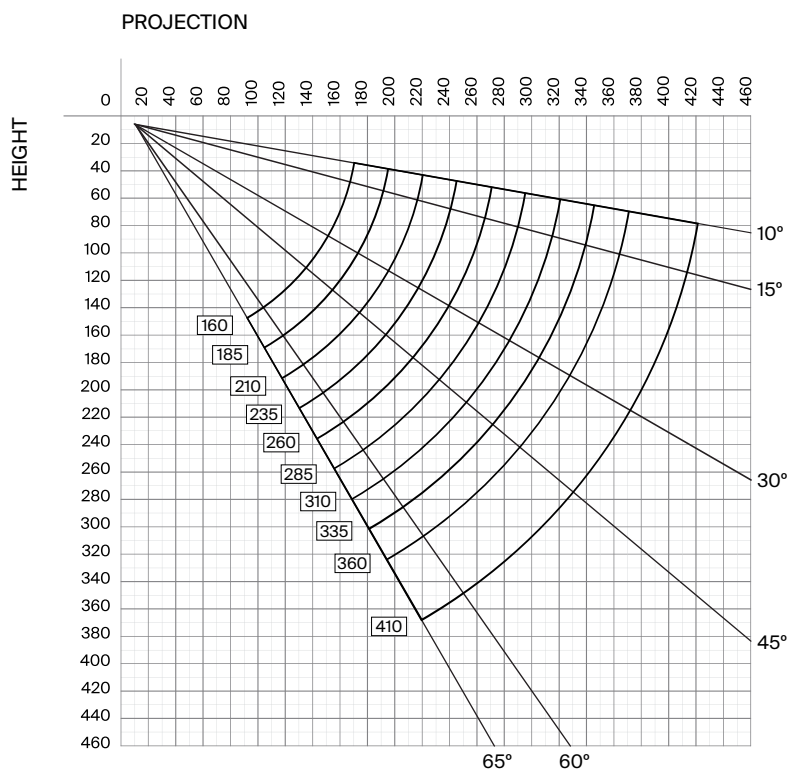
- 1 Cable
- 2 White LED strip IP65 - 700lum/m - 8W/m
- 3 Cable
- 4 Quick connection pack
- 5 Opal diffuser
- 6 Radio-controlled integrated transformer
- 7 Cable with female connector
- 8 Remote control

# PROJECTION DIAGRAM


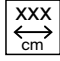



## WALL MOUNTING



## CEILING MOUNTING

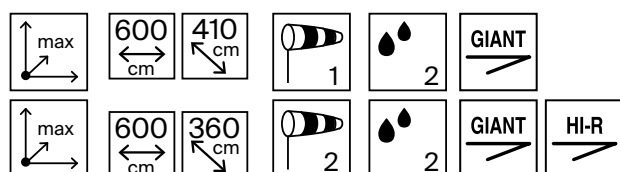


# MINIMUM SIZE

		160	185	210	235	260	285	310	335	360	410	
		213	238	263	288	313	338	363	388	413*	463*	
		216	241	266	291	316	341	366	-	-	-	

 Motorised
  Projection
  External reduction gearbox
  Width

# PRODUCT CLASSIFICATION



# PRECIPITATION CLASSIFICATION



CLASS	Average intensity in one hour (mm/h)	Environmental condition
1	≤ 2	Weak
2	> 2 y ≤ 15	<b>Moderate</b>

# WIND CLASSIFICATION



CLASS	Grade Beaufort	Wind speed		Pressure	Environmental condition
1	0	0 - 1 km/h	0.0 - 0.3 m/s	0.05 N/m <sup>2</sup>	Calm
	1	1 - 5 km/h	0.3 - 1.4 m/s	1.21 N/m <sup>2</sup>	Very light breeze
	2	6 - 11 km/h	1.7 - 3.1 m/s	5.84 N/m <sup>2</sup>	Light breeze
	3	<b>12 - 19 km/h</b>	<b>3.4 - 5.3 m/s</b>	<b>17.41 N/m<sup>2</sup></b>	<b>Gentle breeze</b>
2	4	<b>20 - 28 km/h</b>	<b>5.6 - 7.8 m/s</b>	<b>37.81 N/m<sup>2</sup></b>	<b>Moderate wind</b>
3	5	29 - 38 km/h	8.1 - 10.6 m/s	69.64 N/m <sup>2</sup>	Fresh wind

# WIND CLASSIFICATION

CLASS PROJECTION (m)	WIDTH (m)							
	2,50	3,00	3,50	4,00	4,50	5,00	5,50	6,00
1,60	2	2	2	2	2	2	2	2
1,85	2	2	2	2	2	2	2	2
2,10		2	2	2	2	2	2	2
2,35		2	2	2	2	2	2	2
2,60			2	2	2	2	2	2
2,85			2	2	2	2	2	2
3,10				2	2	2	2	2
3,35				2	2	2	2	2
3,60					2	2	2	2
3,85					1	1	1	1
4,10						1	1	1

# MOTOR COMPATIBILITY

COMPATIBLE MOTOR	
Somfy Sunea io	Simu K7 Star

# MOTOR-TUBE COMPATIBILITY (Ø)

Nominal Torque (Nm)	MOTOR (mm)	TUBO (mm)
≤50	Ø50	Ø70 y Ø80
>50	Ø60	Ø80

# MOTORISATION (Nm)

Nominal Torque (Nm) PROJECTION (m)	WIDTH (m)							
	2,50	3,00	3,50	4,00	4,50	5,00	5,50	6,00
1,60	30	30	30	30	30	30	50	50
1,85	30	30	30	30	40	40	50	50
2,10		30	30	30	40	40	50	50
2,35		40	40	40	50	50	70	70
2,60			40	40	50	50	70	70
2,85			40	40	50	50	70	70
3,10				50	50	50	70	70
3,35				50	50	50	70	70
3,60					55	55	70	70
3,85					70	70	70	70
4,10						70	70	70

# ACRYLIC FABRIC CONFIGURATION

PROJECTION (m)	WIDTH (m)							
	2,50	3,00	3,50	4,00	4,50	5,00	5,50	6,00
1,60	2/2/80	2/2/80	2/2/80	2/2/80	2/2/80	2/2/80	2/2/80	2/2/80
1,85	2/2/80	2/2/80	2/2/80	2/2/80	2/2/80	2/2/80	2/2/80	2/2/80
2,10		2/2/80	2/2/80	2/2/80	2/2/80	2/2/80	2/2/80	2/2/80
2,35		2/2/80	2/2/80	2/2/80	2/2/80	2/2/80	2/2/80	2/2/80
2,60			2/2/80	2/2/80	2/2/80	2/2/80	2/2/80	2/2/80
2,85			2/2/80	2/2/80	2/2/80	2/2/80	2/2/80	2/2/80
3,10				2/2/80	2/2/80	2/2/80	2/2/80	2/2/80
3,35				2/2/80	2/2/80	2/2/80	2/2/80	2/2/80
3,60					2/2/80	2/2/80	2/2/80	2/2/80
3,85					2/2/80	2/2/80	2/2/80	2/2/80
4,10						2/2/80	2/2/80	2/2/80

\* Arms / Brackets / Ø Roller Tube

# PLASTIC FABRIC CONFIGURATION

PROJECTION (m)	WIDTH (m)							
	2,50	3,00	3,50	4,00	4,50	5,00	5,50	6,00
1,60	2/2/80	2/2/80	2/2/80	2/2/80	2/2/80	2/2/80	2/2/80	2/2/80
1,85	2/2/80	2/2/80	2/2/80	2/2/80	2/2/80	2/2/80	2/2/80	2/2/80
2,10		2/2/80	2/2/80	2/2/80	2/2/80	2/2/80	2/2/80	2/2/80
2,35		2/2/80	2/2/80	2/2/80	2/2/80	2/2/80	2/2/80	2/2/80
2,60			2/3/80	2/3/80	2/2/80	2/2/80	2/2/80	2/2/80
2,85			2/3/80	2/3/80	2/2/80	2/2/80	2/2/80	2/2/80
3,10				2/3/80	2/2/80	2/2/80	2/2/80	2/2/80
3,35				2/3/80	2/2/80	2/2/80	2/2/80	2/2/80
3,60					2/2/80	2/2/80	2/2/80	2/2/80
3,85					2/2/80	2/2/80	2/2/80	2/2/80
4,10						2/2/80	2/2/80	2/2/80

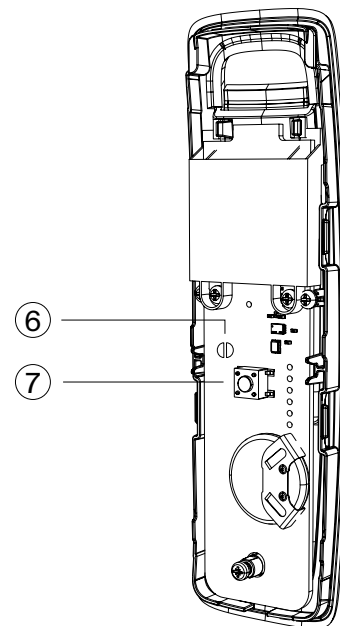
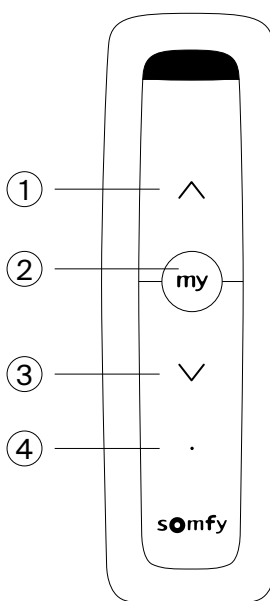
\* Arms / Brackets / Ø Roller Tube

# EMITTERS

## SOMFY SITUO 1

Frequency	IO 868 MHz
Gutters	1
Power supply	CR2032 3V
Operating range	50 m (20 m interior)
Protection rating	IP30
Dimensions	139 × 42 × 16 mm

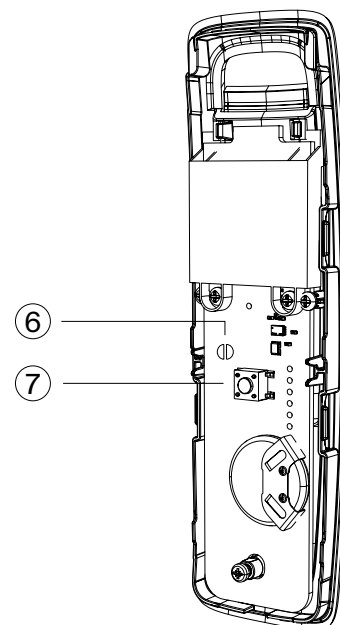
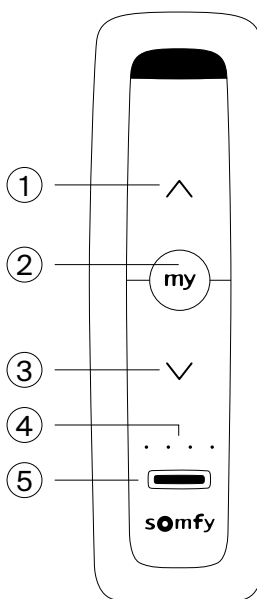
- ① Up/On/Open button
- ② STOP/my button
- ③ Down/Off/Close button
- ④ Button activation indicator light
- ⑥ PROG button
- ⑦ Specific autonomous mode selector



## SOMFY SITUO 5

Frequency	IO 868 MHz
Gutters	5
Power supply	CR2430 3V
Operating range	50 m (20 m interior)
Protection rating	IP30
Dimensions	139 × 42 × 16 mm

- ① Up/On/Open button
- ② STOP/my button
- ③ Down/Off/Close button
- ④ Button activation and group selection indicator light
- ⑤ Group selector
- ⑥ PROG button
- ⑦ Specific autonomous mode selector

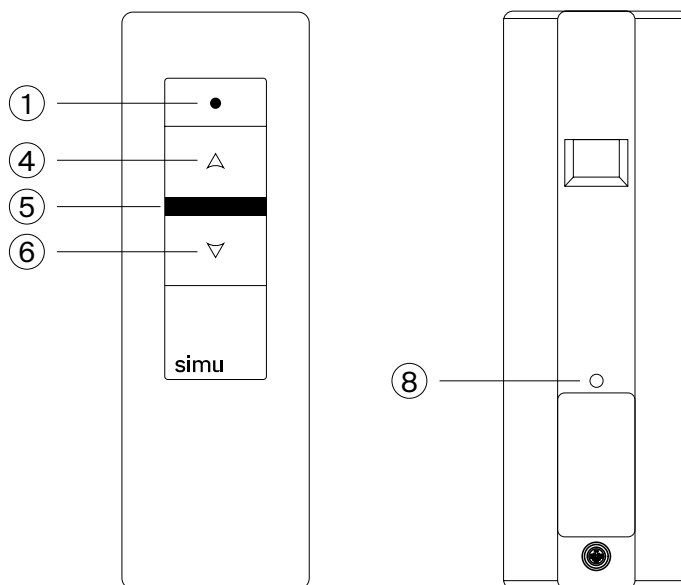


\* Somfy transmitters are exclusively compatible with Somfy motors, and Simu transmitters exclusively with Simu motors.

**SIMU MOBILE 1C**

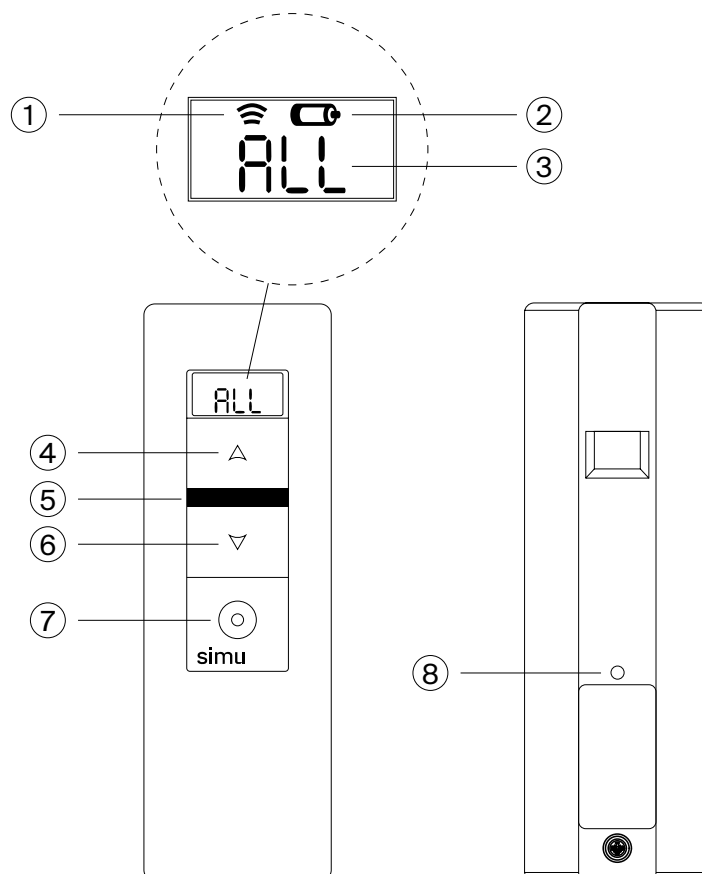
Frequency	433,42 MHz
Gutters	1
Power supply	CR2430 3V
Operating range	50 m (20 m interior)
Protection rating	IP30
Dimensions	125 x 40 x 15 mm

- ① Transmission indicator
- ④ UP control button
- ⑤ STOP / P.I. control button
- ⑥ DOWN control button
- ⑧ Programming button "PROG"

**SIMU MOBILE 5C**

Frequency	433,42 MHz
Gutters	5
Power supply	CR2430 3V
Operating range	50 m (20 m interior)
Protection rating	IP30
Dimensions	125 x 40 x 15 mm
Screen	Yes

- ① Transmission indicator
- ② Low battery indicator
- ③ Selected channel: 1, 2, 3, 4, 5 or All
- ④ UP control button
- ⑤ STOP / P.I. control button
- ⑥ DOWN control button
- ⑦ Selection button
- ⑧ Programming button "PROG"





We believe in the *elegance* of engineering.